



MOTORSPORT SOUTH AFRICA

Association incorporated under section 21

Reg. No. 1995/05605/08

First Floor, 108 Monza Close, Kyalami Park, Midrand. P.O. Box 11499 Vorna Valley, 1686, South Africa

Telephone: (011) 466-2440. Fax: (011) 466-2450. Website: www.motorsport.co.za. E-mail: adrian@motorsportsa.co.za

MSA KARTING CIRCULAR 4/2009

152604/144

Specified carburettor settings for all South African Rok classes for 2009

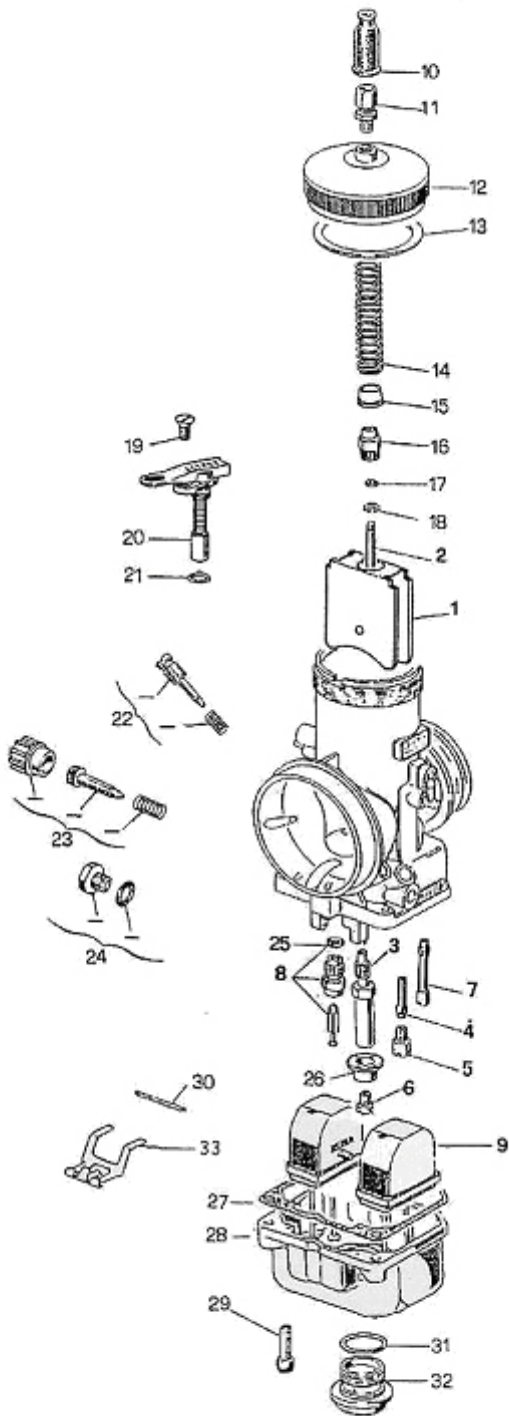
1	Throttle Valve / Slide	=	40
2	Mixture Needle	=	K28
3	Spray Nozzle / Emulsion Tube	=	DP264
4	Idle Diffuser	=	60
5	Idle Jet	=	B45
6	High Speed Jet / Main Jet	=	FREE
8	Needle Valve	=	250
9	Float	=	4 gram

A carburetor drawing is included overleaf for ease of reference.

ADRIAN SCHOLTZ
MANAGER – SPORTING SERVICES

18th March 2009

DELL'ORTO VHSH 30



- | | |
|------------------------------------|------------------------------|
| 1. GUILLOTINE | THROTTLE VALVE |
| 2. AIGUILLE | MIXTURE NEEDLE |
| 3. PULVERISATEUR | SPARY NOZZLE |
| 4. EMULSEUR MINIMUM | IDLE DIFFUSER |
| 5. GICLEUR MINIMUM | IDLE JET |
| 6. GICLEUR MAXIMUM | HIGH SPEED JET |
| 7. GICLEUR DEMARRAGE | STARTER JET |
| 8. POINTEAU | NEEDLE VALVE |
| 9. FLOTTEUR | FLOATER |
| 10. MANCHON | CAP |
| 11. VIS DE TENSION | WIRE SCREW |
| 12. COUVERCLE DU CORPS | BODY COVER |
| 13. JOINT COUVERCLE DE CHAMBRE | COVER GASKET |
| 14. RESSORT DE RAPPEL GUILLOTINE | THROTTLE VALVE RETURN SPRING |
| 15. ASSIETTE GUIDÉ RESSORT | SPRING GUIDE PLATE |
| 16. NIPPLO VALVE GAZ | MIXTURE VALVE NIPPLE |
| 17. RONDELLE | WASHER |
| 18. ARRET DE L'AIGUILLE | MIXTURE NEEDLE STOP |
| 19. VIS DU DISPOSITIF DE DEMARRAGE | STARTER FIXING SCREW |
| 20. DISPOSITIF DE DEMARRAGE | CHOKE |
| 21. JOINT DISPOSITIF DEMARRAGE | STARTER GASKET |
| 22. KIT VIS DE REGLAGE DE L'AIR | KIT AIR ADJUSTMENT SCREW |
| 23. KIT VIS DE REGLAGE GUILLOTINE | KIT MIXTURE VALVE ADJUSTMENT |
| 24. BOUCHON FILTRE A ESSENCE | FUEL FILTER PLUG |
| 25. JOINT DU POINTEAU | NEEDLE VALVE GASKET |
| 26. ASSIETTE | PLATE |
| 27. JOINT DE LA CUVE | FLOAT VALVE GASKET |
| 28. CUVE | FLOAT CHAMBER |
| 29. VIS FIXAGE DE LA CUVE | FLOAT CHAMBER SCREW |
| 30. AXE | PIN |
| 31. JOINT DU BOUCHON DE CUVE | FLOAT CHAMBER PLUG GASKET |
| 32. BOUCHON DE LA CUVE | FLOAT CHAMBER PLUG |
| 33. BALANCIER | FLOAT LEVER |